

## ROLLERS

### SERIES 3800 LIGHT

Friction conveyor roller

Double friction conveyor roller

#### Dimensions

A sufficient axial play is already taken into account, so that the actual lane width between side profiles is required. The dimensions of the conveyor roller depend on the shaft version and the drive element.

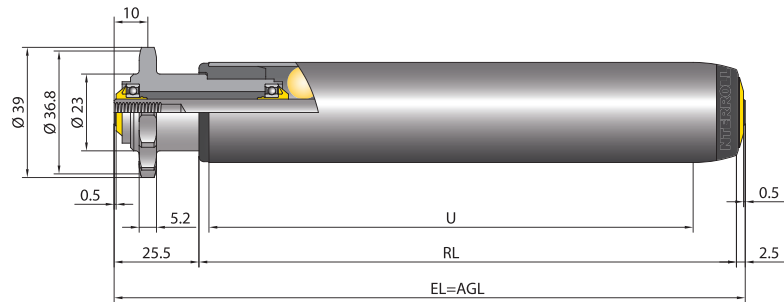
RL = Reference length / ordering length

EL = Installation length, inside diameter between side profiles

AGL = Total length of shaft

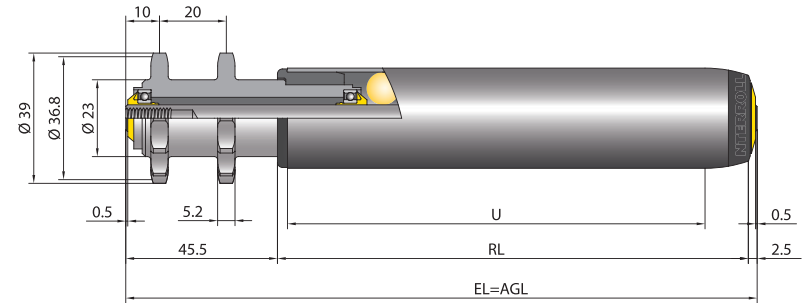
U = Usable tube length: Length without bearing housing and for flanged metal tube without length of flanging

#### Single friction roller with 3/8" zinc-plated steel sprocket head and 12 teeth



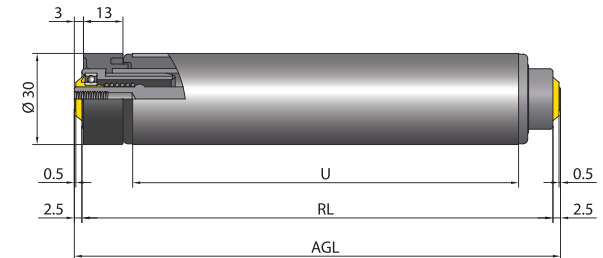
Ø Tube [mm]	Tube material	Ø Shaft [mm]	Drive element	EL [mm]	AGL [mm]	U [mm]
30 x 1.2	Steel	8	Steel sprocket head 3/8", T12	RL + 28	RL + 28	RL - 16

#### Single friction roller with 3/8" zinc-plated steel double sprocket head and 12 teeth



Ø Tube [mm]	Tube material	Ø Shaft [mm]	Drive element	EL [mm]	AGL [mm]	U [mm]
30 x 1.2	Steel	8	Steel double sprocket head 3/8", T12	RL + 48	RL + 48	RL - 16

#### Double friction roller with flat belt drive head



Ø Tube [mm]	Tube material	Ø Shaft [mm]	Drive element	EL [mm]	AGL [mm]	U [mm]
30 x 1.2	Steel	8	Flat belt drive head Ø 30	RL + 5	RL + 5	RL - 28